



Sink Unit Dimensional Guidelines

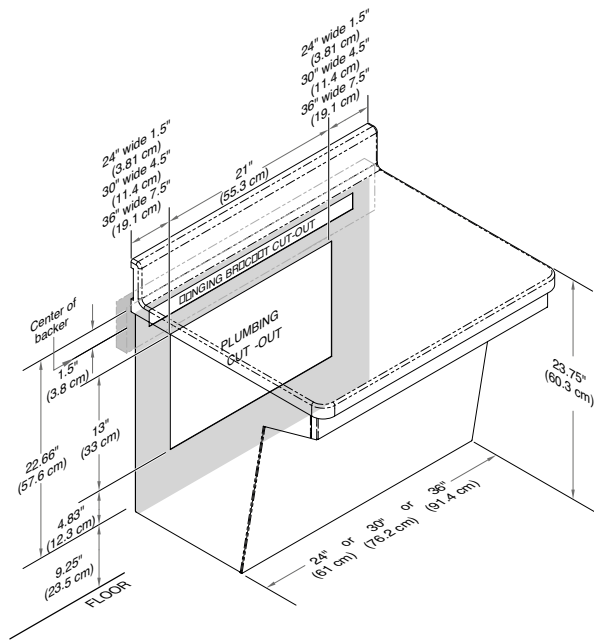
ADA





Durable, ergonomic & efficient

The new Midmark ADA compliant front approach sink units feature a removable front panel for access to plumbing and a unique 18-inch deep unit that meets regulatory guidelines without taking up additional exam space. As with all Midmark casework, this product is designed to be durable, ergonomically friendly and efficient.



No product can guarantee points. Points are cumulative for all effected materials for a LEED® project. For further information on LEED®, please visit the USGBC website, www.usgbc.org.

CARB 93120.2 Phase 2 Compliant

Midmark is an ISO 13485 and ISO 9001 Certified Company. For more information or a demonstration, contact your Midmark dealer or call: 1-800-MIDMARK Fax: 1-800-365-2499 Outside the U.S.A. call: 1-937-526-3662 Fax: 1-937-526-8247 or visit our website at midmark.com

It is the sole responsibility of the customer to ensure compliance with all federal, state and local codes.

© 2011 Midmark Corporation
60 Vista Drive, Versailles, Ohio 45380
Products subject to improvement changes without notice
Litho in U.S.A. 007-0883-00 Rev. C1 (1/15)

18" Deep Units:

Stainless Steel Drop-in

Polar Ware Sink:
CSK-S11D05-0 (Round)
CSK-S131105-1 (Square)
CSK-S131105-2 (Square)

Corian® Undermount

Faucet must be side mounted
Corian® 802 Sink:
027-1303-07

24" Deep Units:

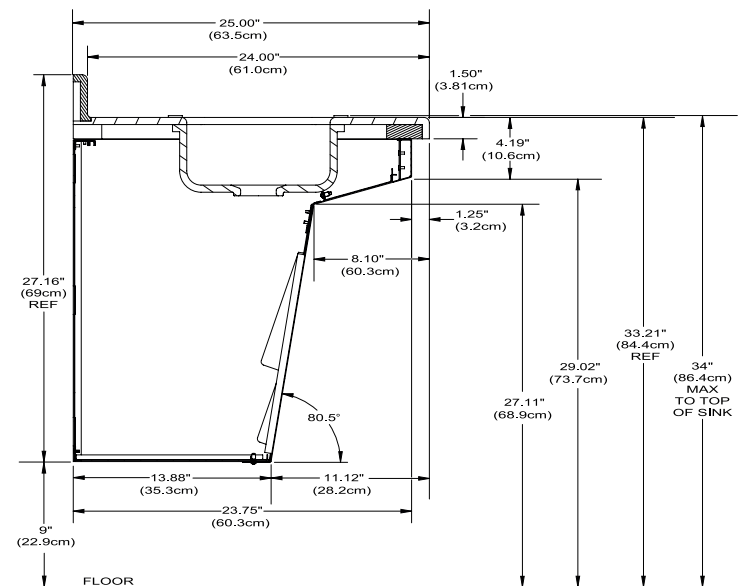
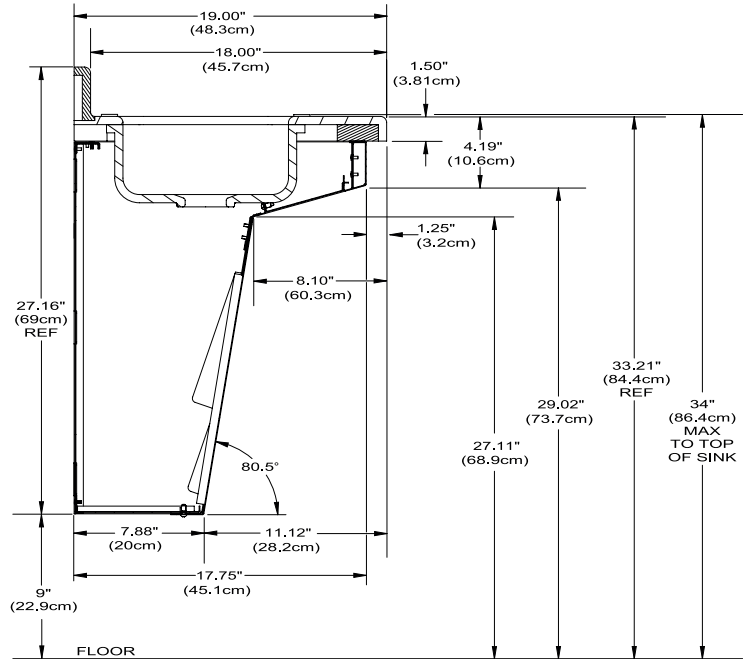
Stainless Steel Drop-in (Round)

Elkay® Single Bowl Sink:
CSK-S211605-3

Elkay® Double Bowl Sink:
CSK-D141605-3

Corian® Undermount

Corian® 802 Sink:
027-1303-08



Solid surface top is shown. Dimensions may differ due to countertop thickness.

