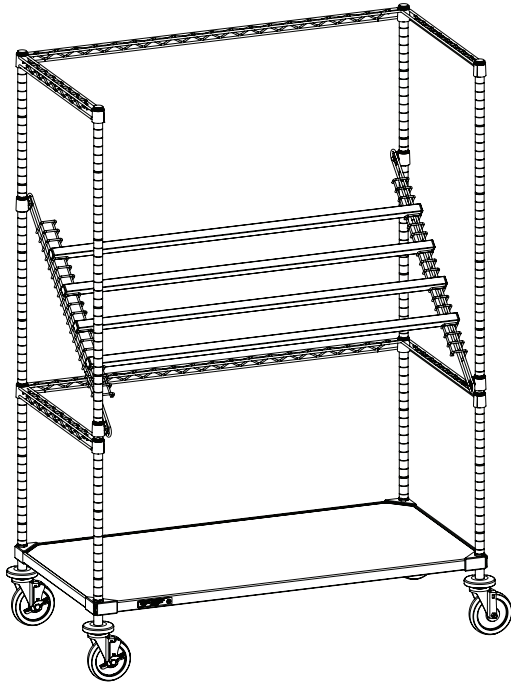


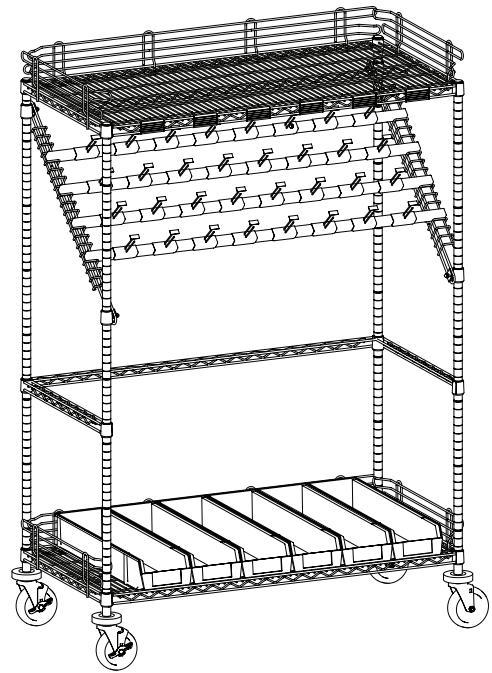
STERILE WRAP RACK

BULK STORAGE CATHETER PROCEDURE CART

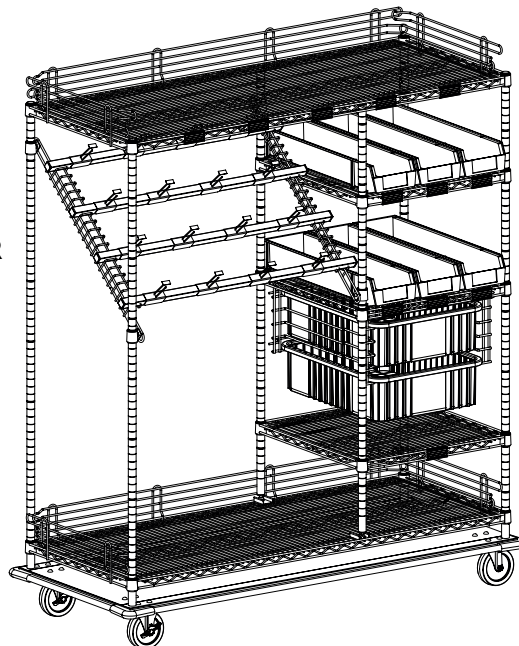
COMBINATION STYLE CATHETER PROCEDURE CART



STERILE WRAP RACK
(SWR556EG, SWR566EG)



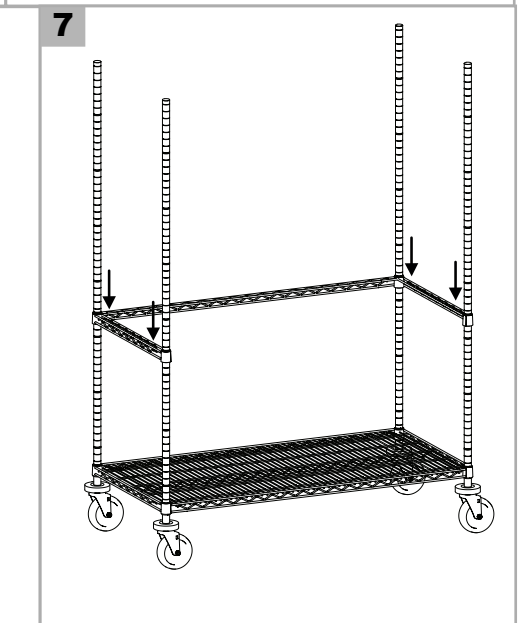
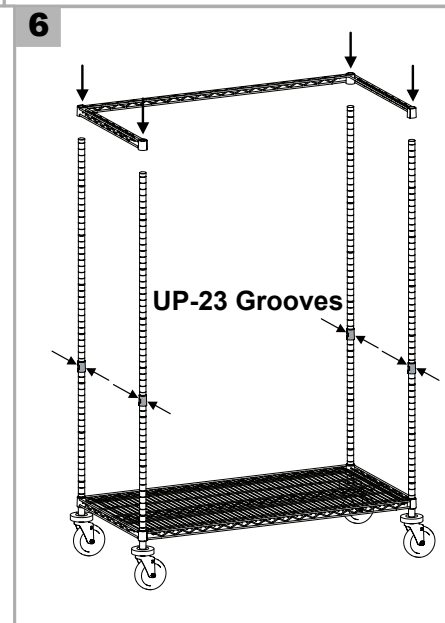
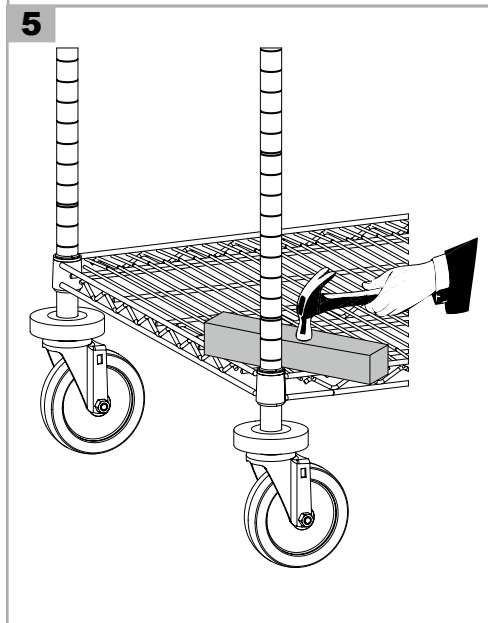
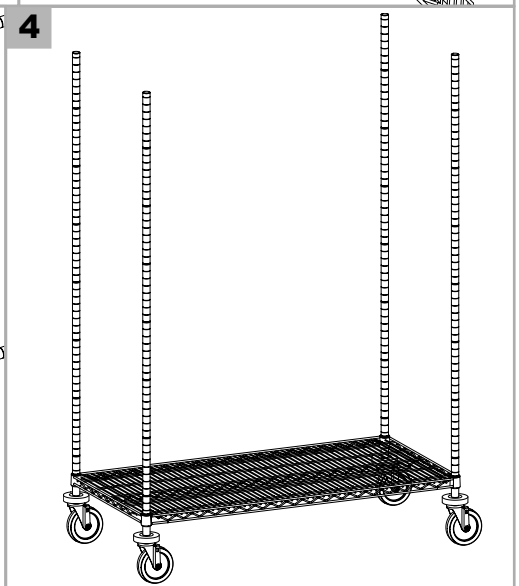
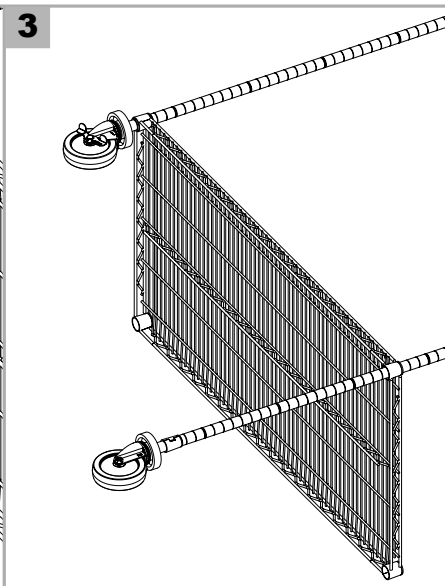
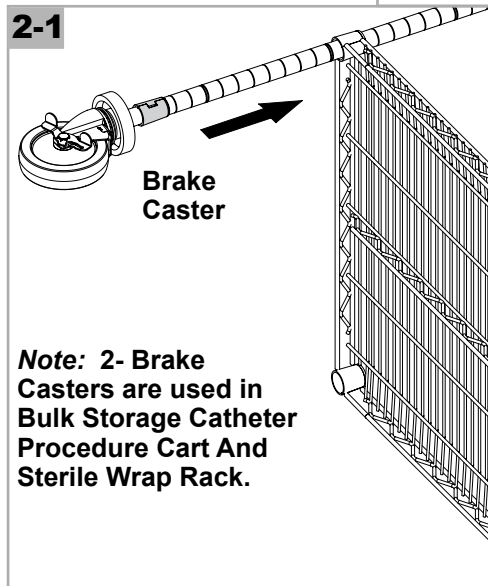
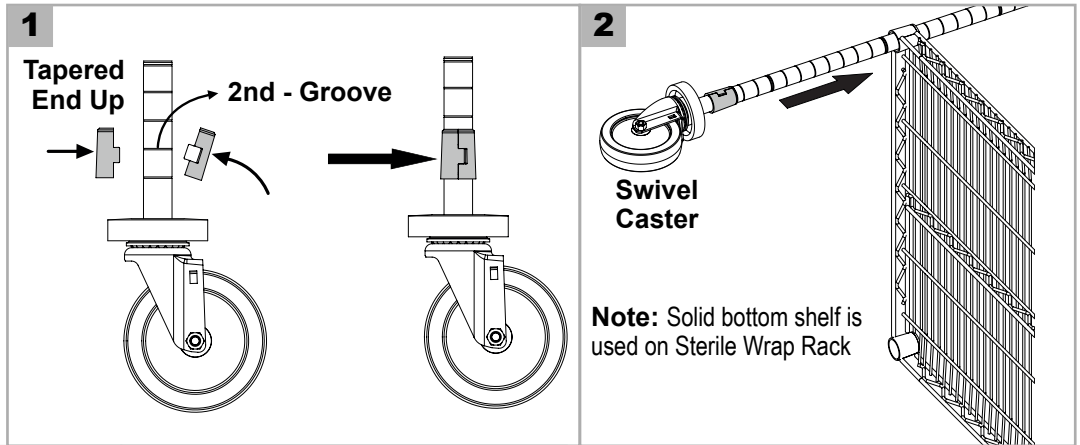
BULK STORAGE CATHETER PROCEDURE CART
(CPC55EC, CPC56EC)



**COMBINATION STYLE CATHETER
PROCEDURE CART**
(CPC3/2LC, CPCD3/2LC)

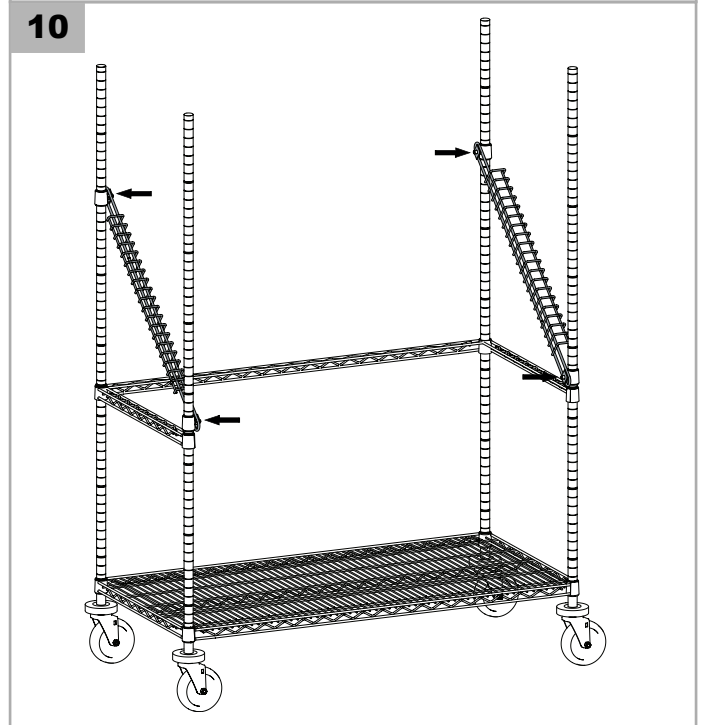
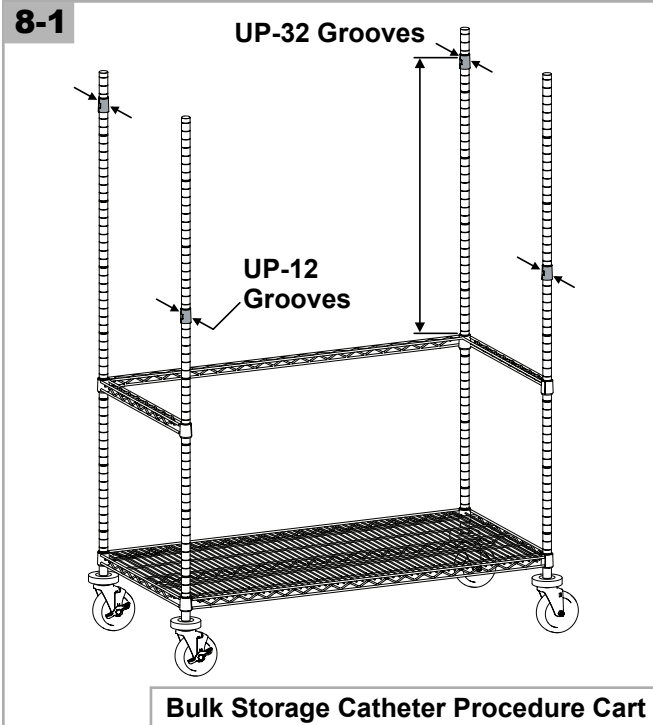
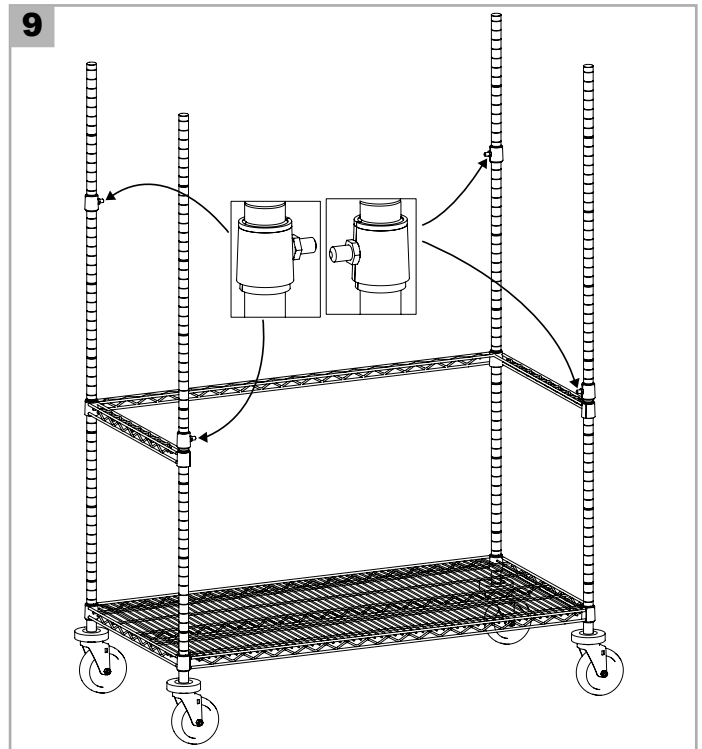
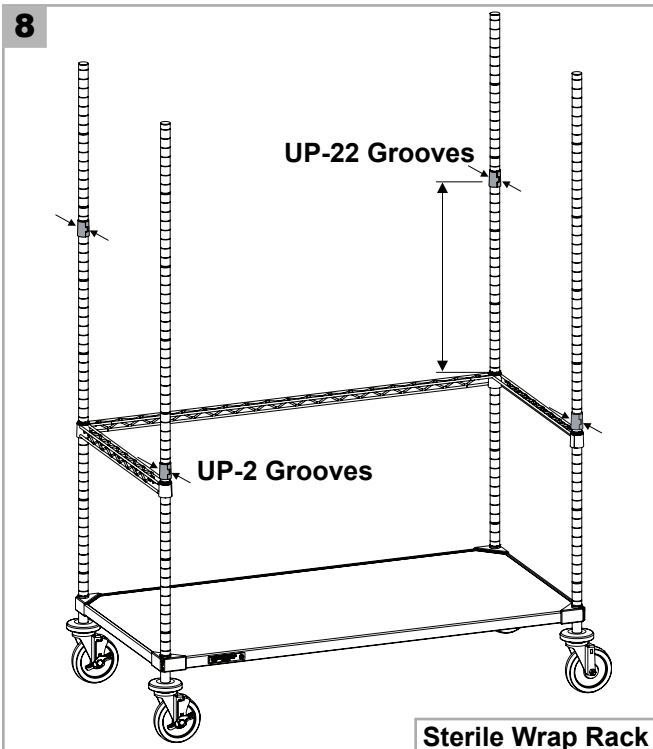
**STERILE WRAP RACK
BULK STORAGE CATHETER PROCEDURE CART — INSTRUCTIONS FOR USE**

INSTRUCTIONS FOR USE
(Two People Required For Assembly)



STERILE WRAP RACK

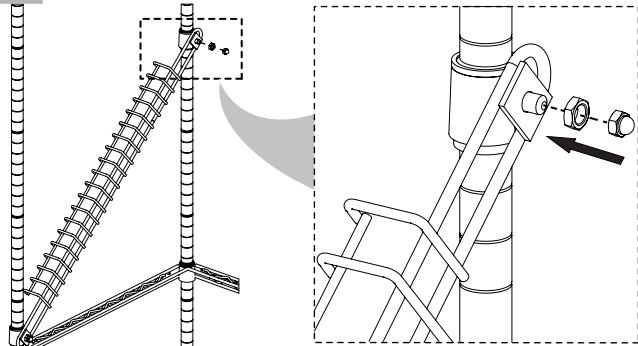
INSTRUCTIONS FOR USE —BULK STORAGE CATHETER PROCEDURE CART



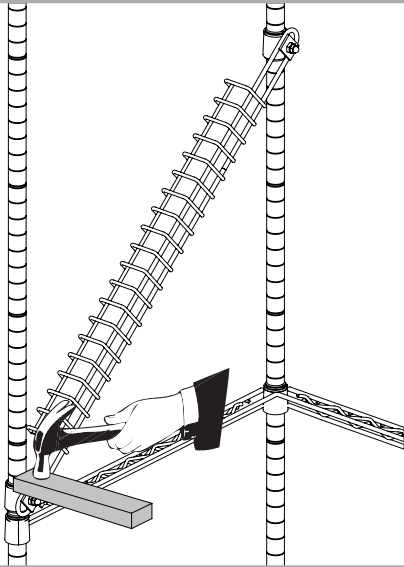
STERILE WRAP RACK BULK STORAGE CATHETER PROCEDURE CART — INSTRUCTIONS FOR USE

11

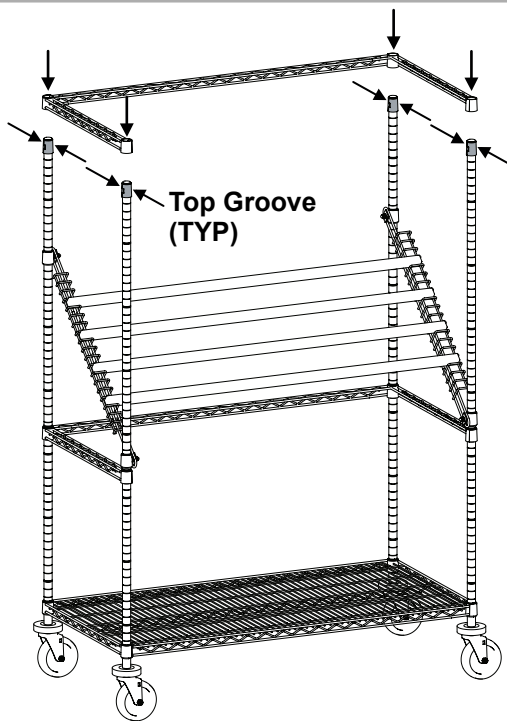
OFFSET WIRES FACE OUT



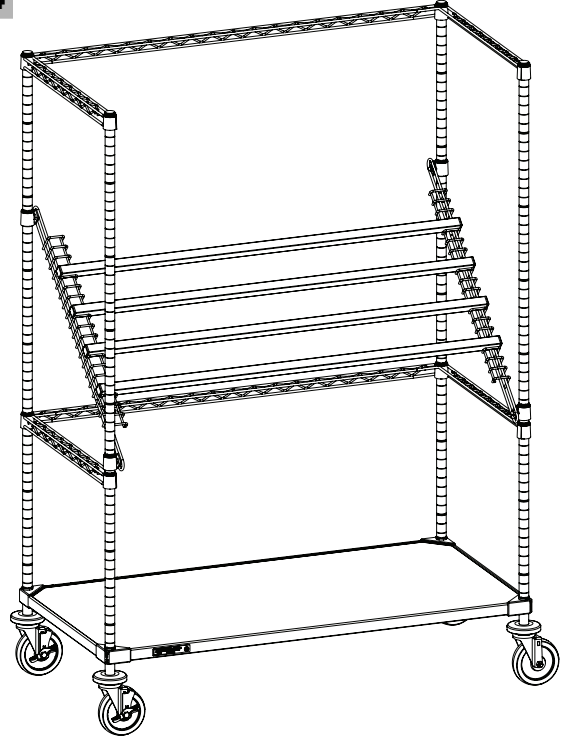
12



13

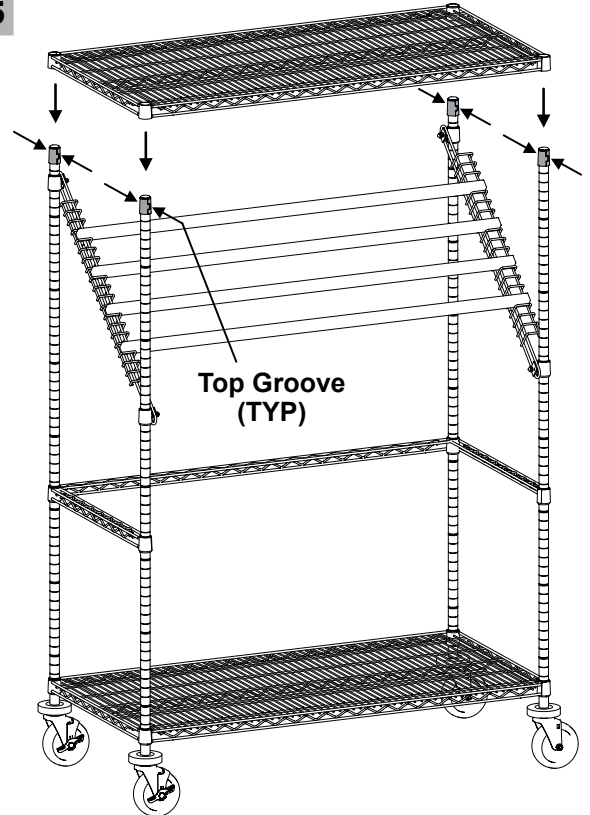


14



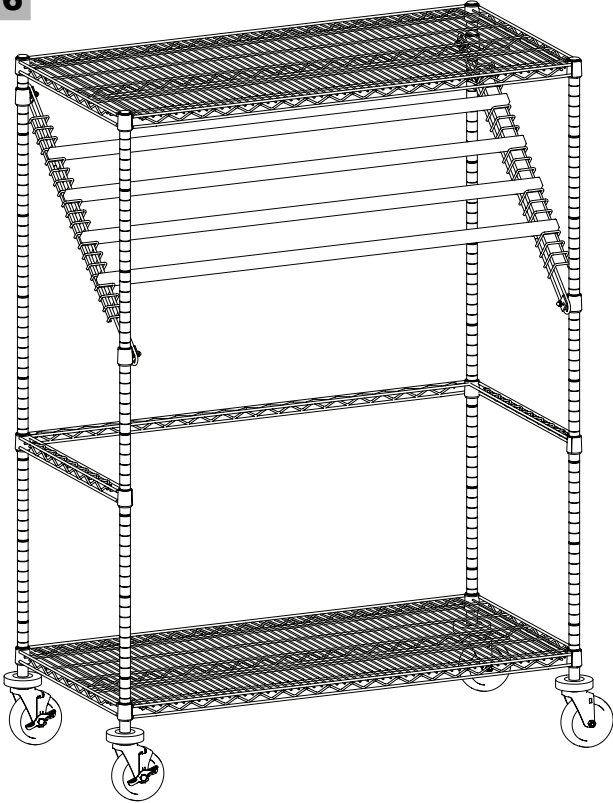
THIS COMPLETES THE ASSEMBLY
OF STERILE WRAP RACK

15

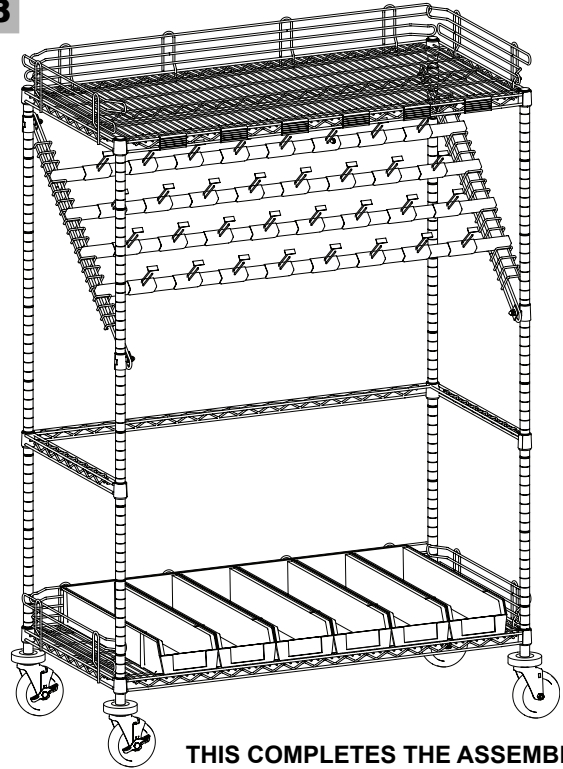


STERILE WRAP RACK
INSTRUCTIONS FOR USE —BULK STORAGE CATHETER PROCEDURE CART

16



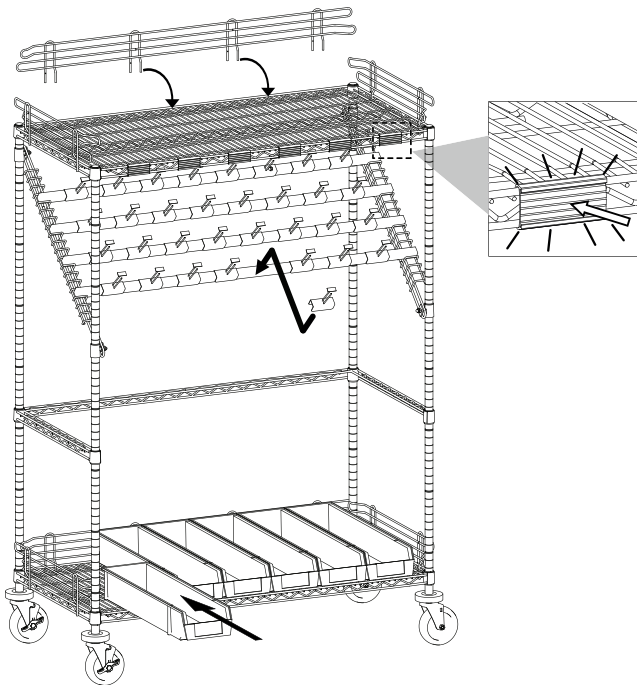
18



THIS COMPLETES THE ASSEMBLY
OF BULK STORAGE CATHETER
PROCEDURE CART

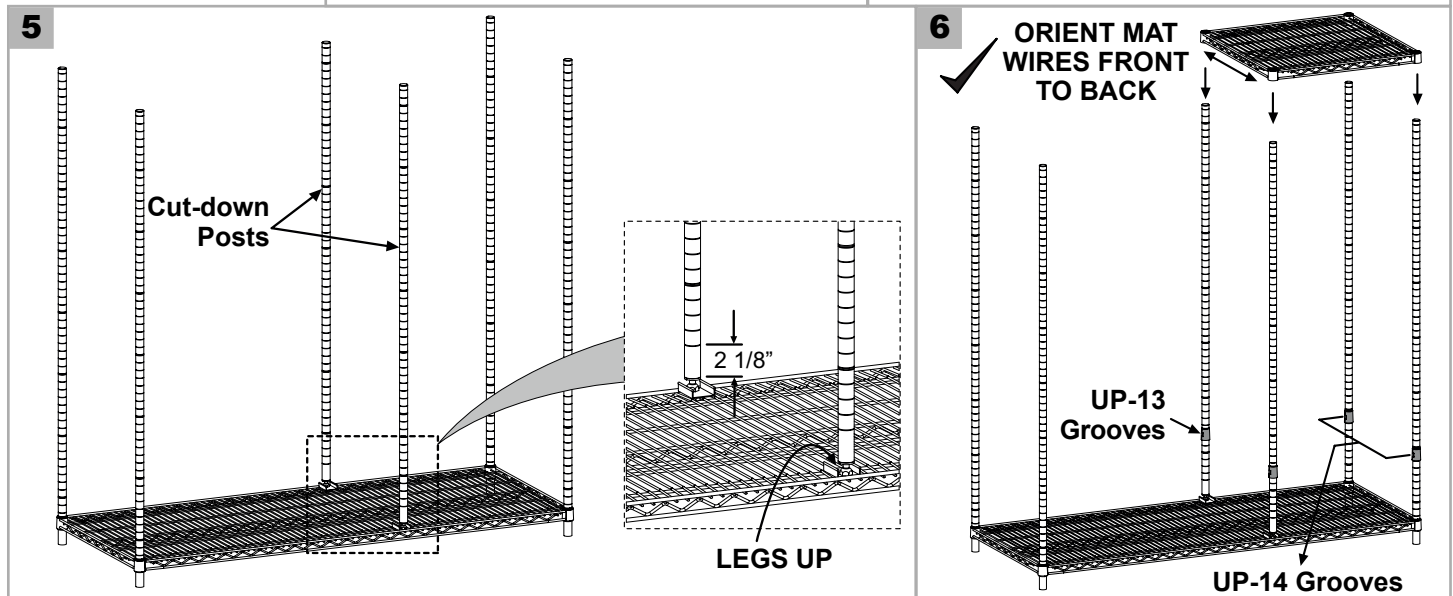
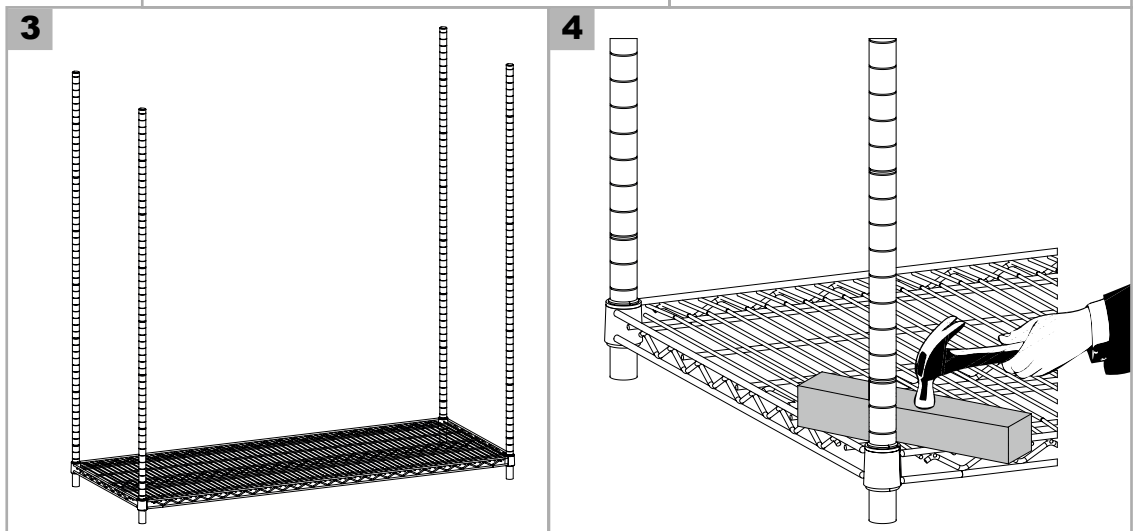
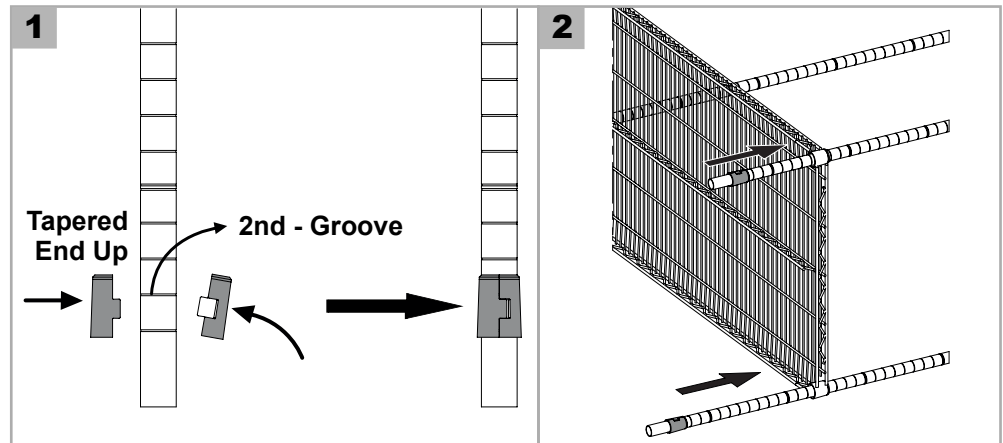
17

LEDGE OVAL WIRES FACE OUTWARD

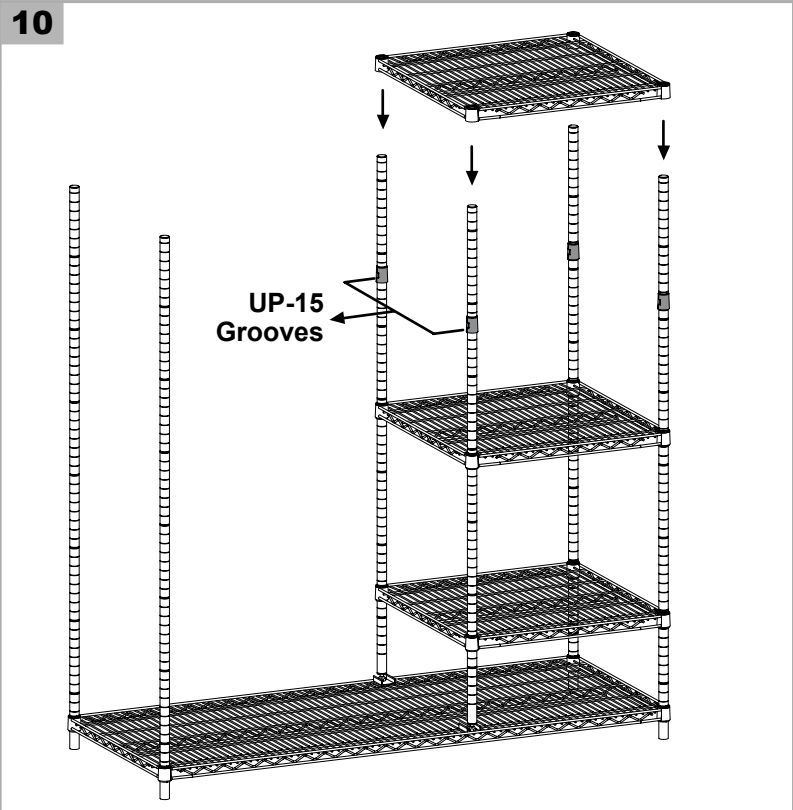
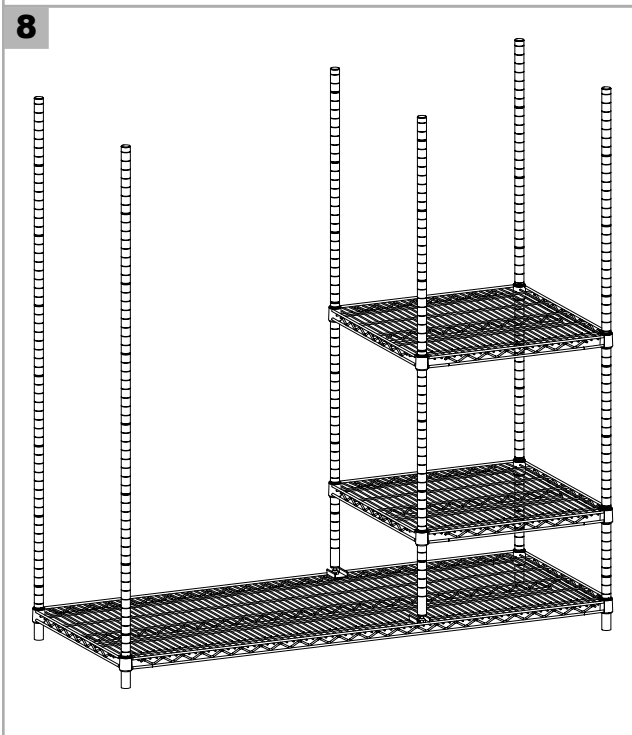
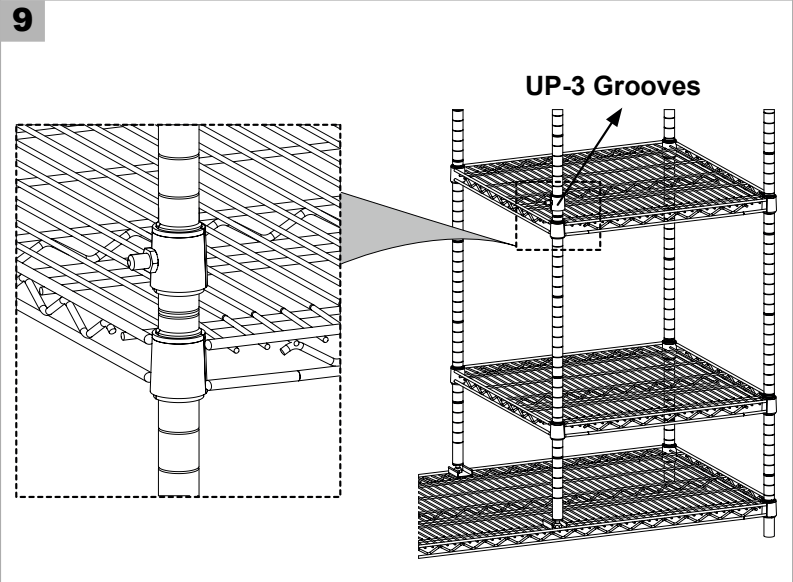
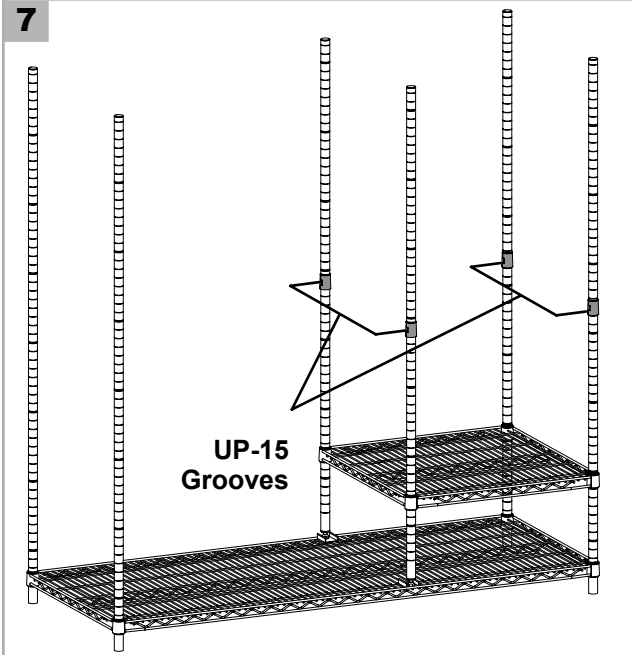


INSTRUCTIONS FOR USE

(Two People Required For Assembly)

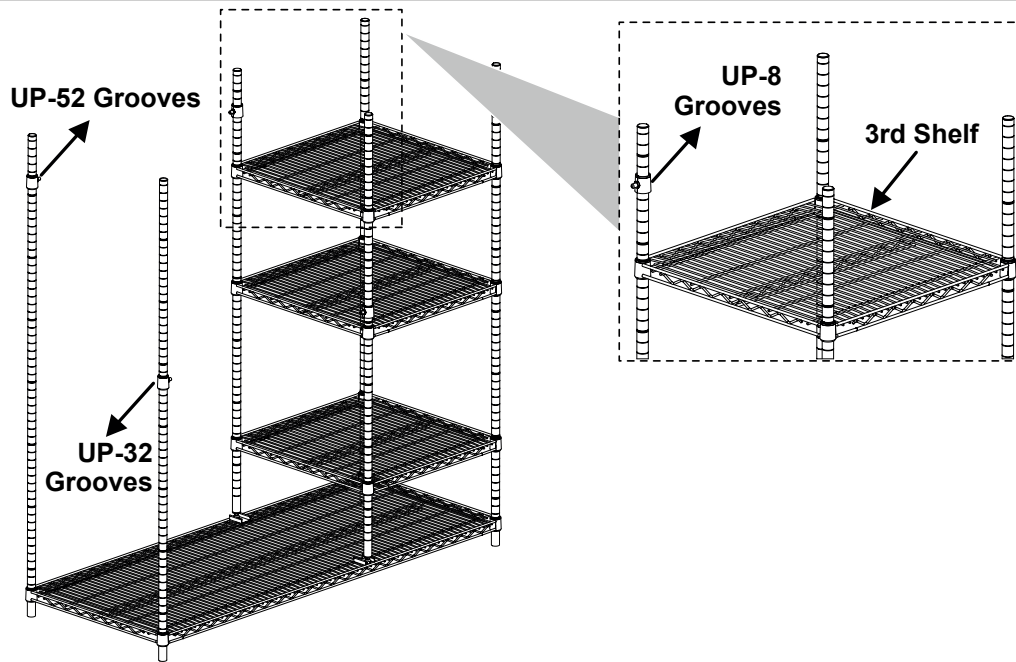


COMBINATION STYLE CATHETER PROCEDURE CART — INSTRUCTIONS FOR USE

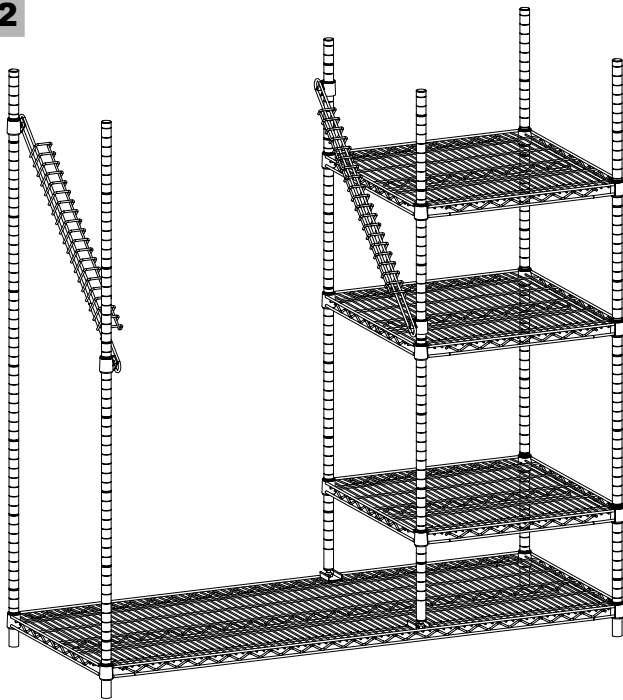


COMBINATION STYLE CATHETER PROCEDURE CART — INSTRUCTIONS FOR USE

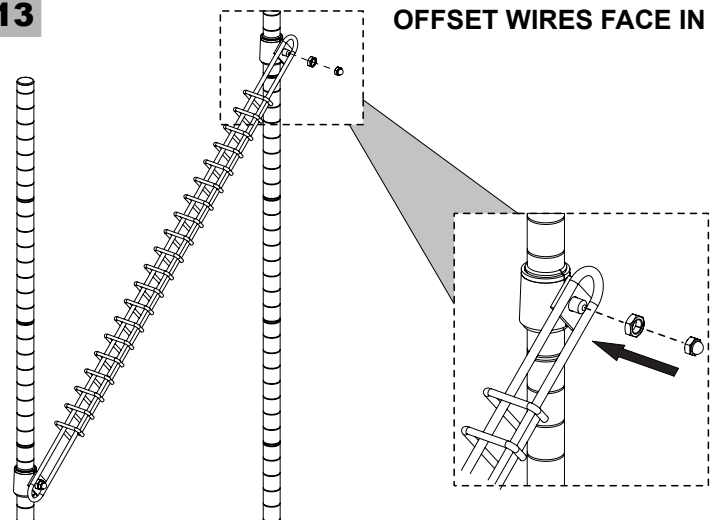
11



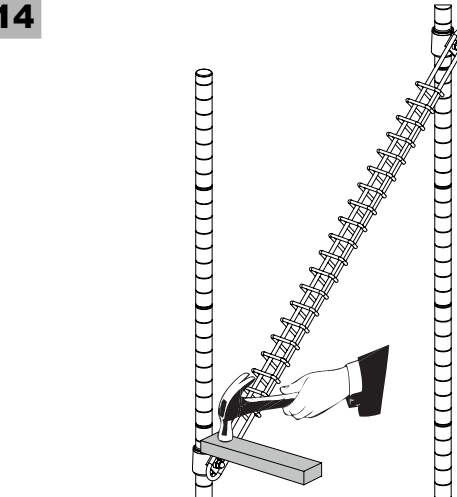
12



13

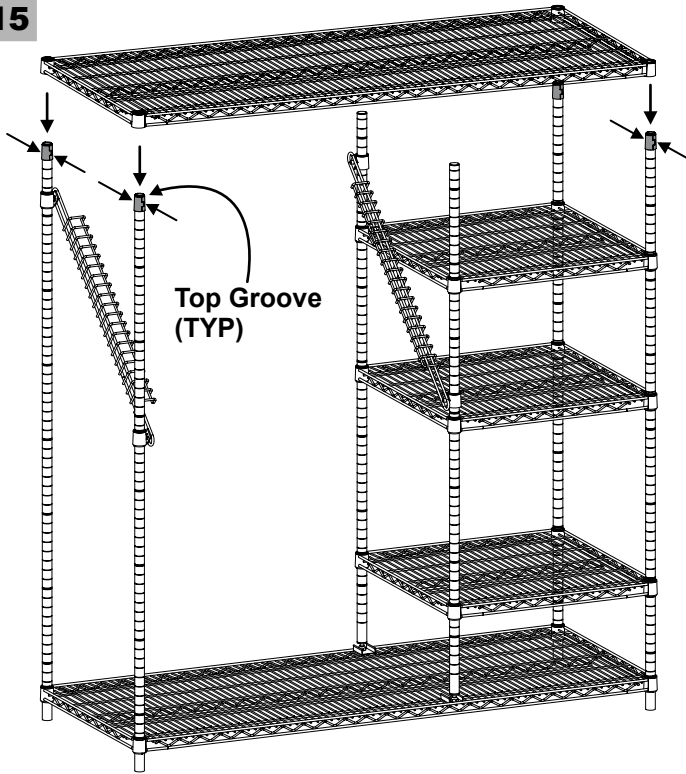


14

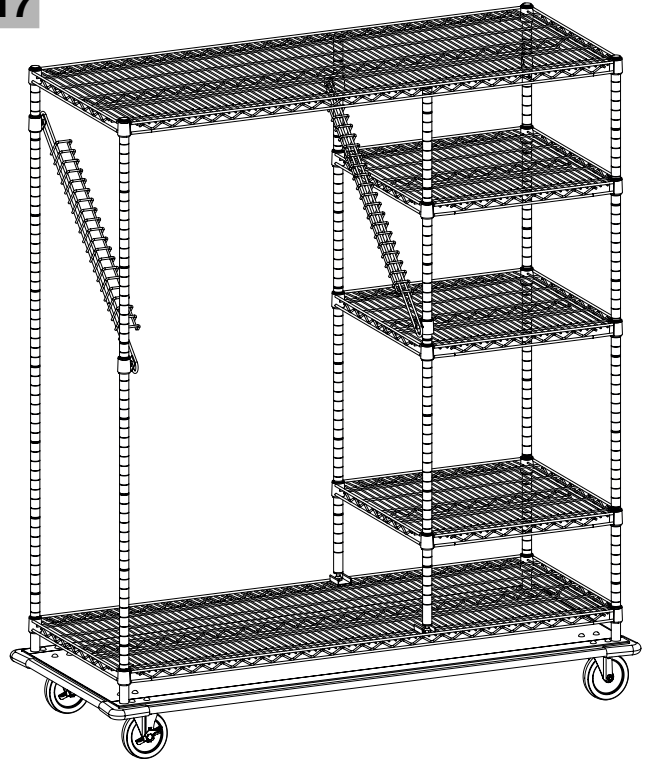


COMBINATION STYLE CATHETER PROCEDURE CART — INSTRUCTIONS FOR USE

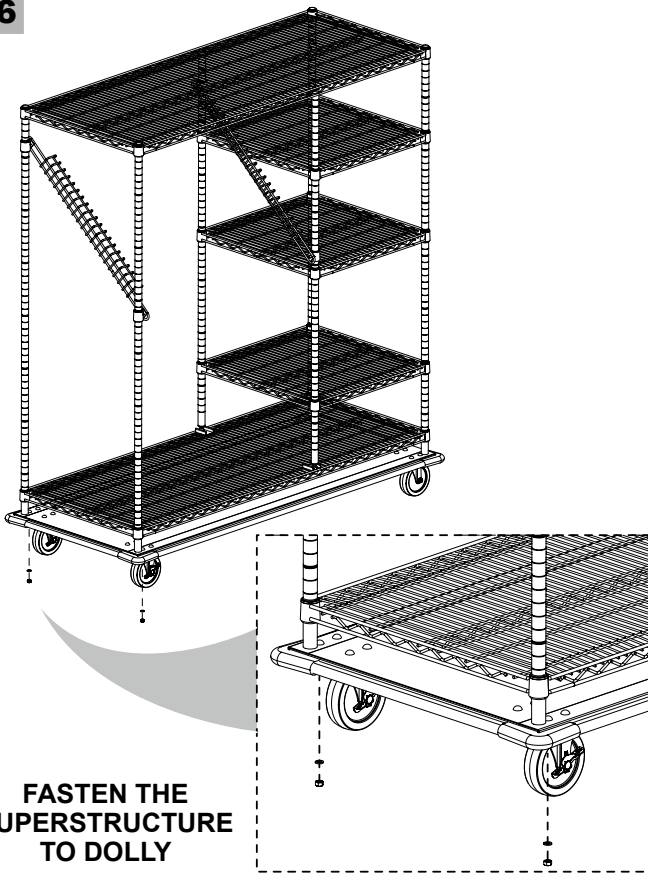
15



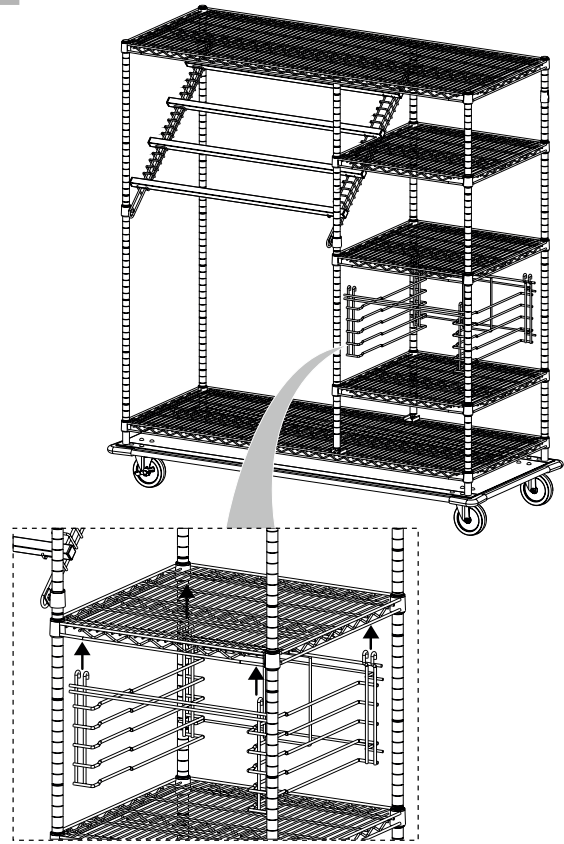
17



16

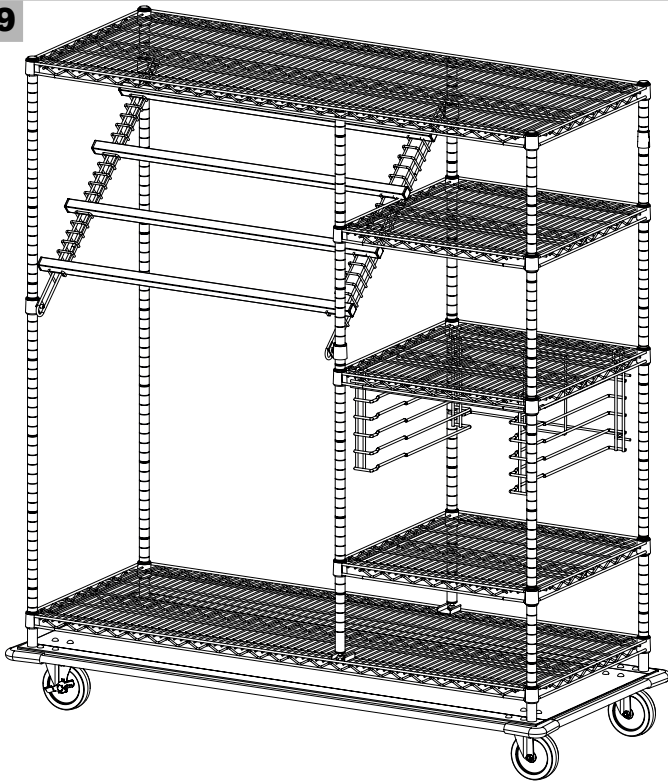


18 INSTALL SUPER SLIDES AND HANGER BARS

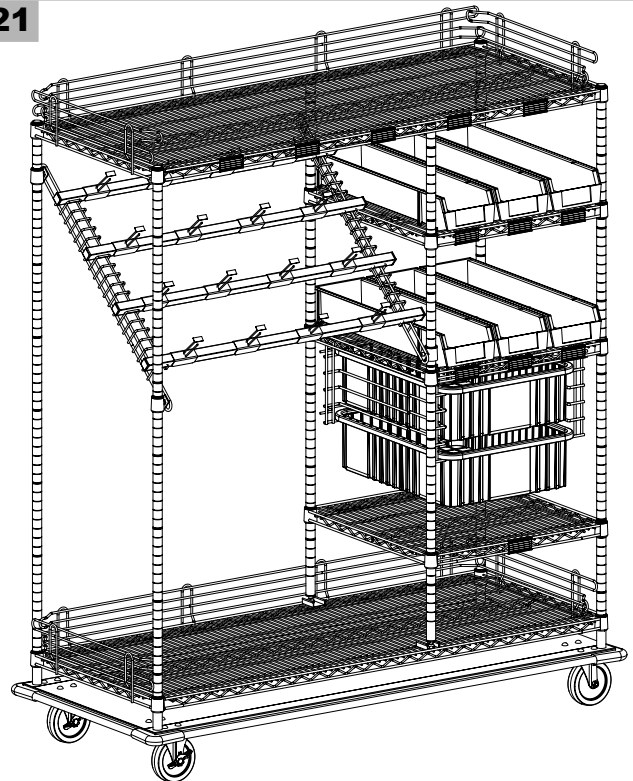


COMBINATION STYLE CATHETER PROCEDURE CART — INSTRUCTIONS FOR USE

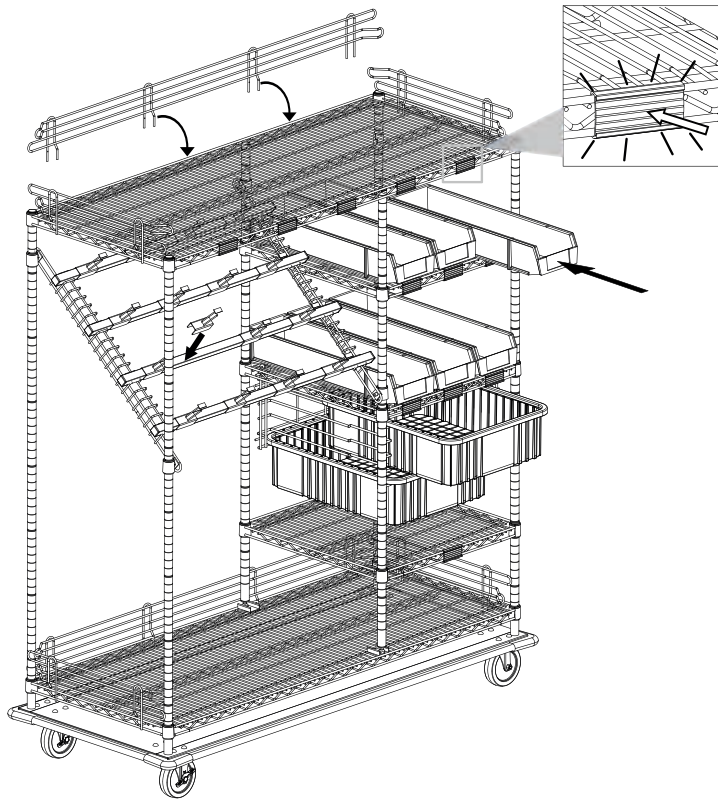
19



21



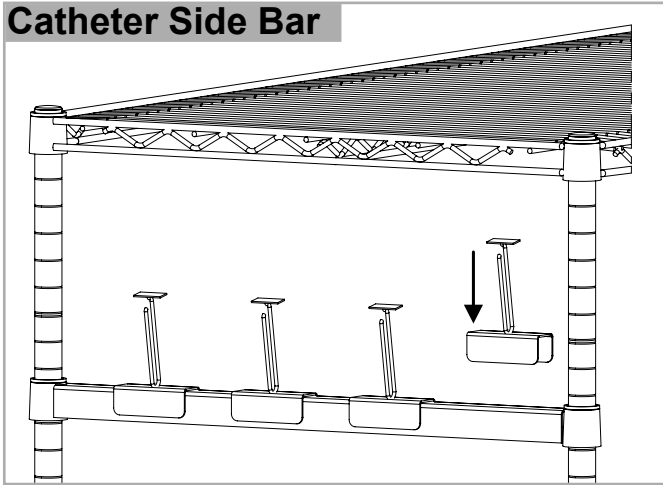
20 INSTALL LEDGES, CATHETER HOOKS, BINS, BIN MARKERS AND TOTE BOXES



THIS COMPLETES THE ASSEMBLY OF COMBINATION STYLE CATHETER PROCEDURE CARTS

ACCESSORY ITEMS

Catheter Side Bar



LOAD RATINGS

The following are maximum safe load carrying capacities:

1. Catheter Hook - 5lbs. max. uniformly distributed.
2. Hanger Bar - 50 lbs. max. uniformly distributed.
3. Carriage - 200 lbs. max. uniformly distributed.

* Save this document for future application, load rating and/or safety reference.

© 2021 InterMetro Industries Corporation, Wilkes-Barre, PA 18705
L01-063 REV B 07/21



We put space to work.

an Ali Group Company



The Spirit of Excellence