

EC2060

Blanket Warmer

Maintain patient normothermia throughout the entire procedure, reducing surgical site infection risks and aiding in the recovery process. The quiet and affordable EC2060 blanket warmer with windowed door is built for large capacity patient warming needs. The warming unit is designed for energy efficiency while maintaining necessary temperature levels.

The durable, reliable stainless steel Titan Series blanket warmer quickly and efficiently heats blankets to precise temperatures using the digital controls.

The blanket warmer is warmed using a low-heat-density electrothermal cable array located in the floor and two sides of the blanket warmer and along with a circulating fan that evenly heats the interior chamber.

Durable: The affordable, rugged stainless steel (201 & 430) cabinets are made to last and work just as hard as you do.

Programmable: Control heat settings to save energy costs.

Service: Our worldwide support team is dedicated to providing quality equipment. We walk with you every step of the way to maximize your return on investment.

Made in the USA with a commitment to quality

Warranty: 5-year parts/1-year labor (US/Canada only)

An ISO 13485:2016 certified company

Standard Features

- Single chamber with two (2) windowed doors
- Stainless steel exterior with four (4) shelves, three (3) are adjustable.
- Control with temperature lock feature
- Temperature Management Access Point
- Audible Overtemp Alarm
- One (1) set of 5" (127 mm) heavy-duty casters - two (2) rigid and two (2) swivel with locking brake.



70 EC2060
60-70 blankets



Adjustable temperature range of
37°-71°C (98°-160°F)

 enthermics®



Configurations (select one)

Door Assembly

(2) Windowed doors (standard) (2) Solid doors

Door Swing

Right hinged (standard) Left hinged

Door Lock

No lock (standard) Manual lock

Electrical

120V 1PH 230V 1PH

Accessories (select all that apply)

Leg Kit

6" (152 mm) (5011149)

Built-in Trim Kit

Trim kit (5013968)

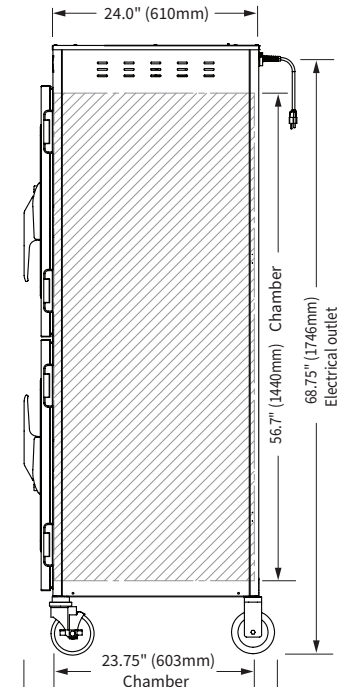
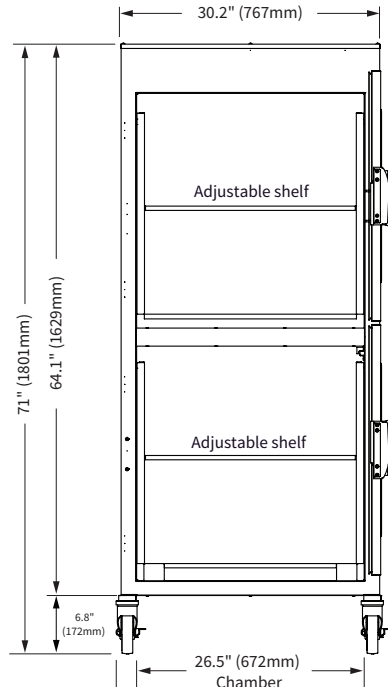
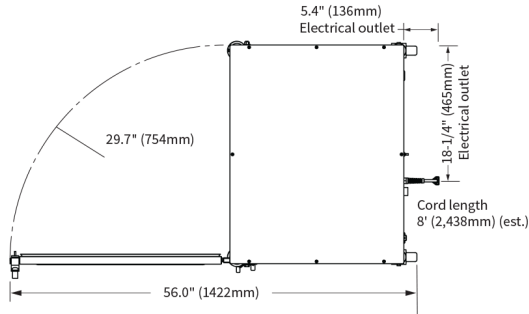
Seismic Mounting Brackets

Special installation requirements apply

Contact factory

EC2060 Blanket Warming Cabinet

Specification



Top: 4"
Left: 2"
Right: 2"
Back: 4"

CLEARANCE



Model	Exterior (H x W x D)	Interior (H x W x D)	Net Weight
EC2060	71" (1803mm) x 32" (813mm) x 29.25" (743mm)	56.75" (1441mm) x 26.5" (673mm) x 23.75" (603mm)	347 lbs (157 kg)
	Ship Dimensions (L x W x H)*	Ship Weight*	
EC2060	38" x 35" x 80"	495 lbs	

*Domestic ground shipping information. Contact factory for export weight and dimensions.



	V	Ph	Hz	A	kW	Plug Configuration
EC2060	120	1	50/60	15	1.8	NEMA 5-20P; 20A 125V Plug; Hospital Grade
	230	1	50/60	7.4	1.7	BS 1363 Plug; CEE 7/7 220-230V Plug

*Other international plugs are available, contact the manufacturer for more information.

**Electrical connections must meet all applicable federal, state and local codes.



IPX-0

CONTACT US

W164 N9221 Water Street | Menomonee Falls, Wisconsin 53051 | U.S.A.
Phone: 262.251.8356 | 800.862.9276 | Fax: 262.251.7067 | enthermics.com